

BEKO



HSA40550

GB

Instruction for use

РУС

Инструкция по эксплуатации



GB**Content**

Advice for recycling of the old appliance	/1
Packing Recycling	/2
Transport instructions	/2
Warnings and special advice	/2
Setting up	/3
Electric connection	/3
Switching off	/4
Appliance description	/4
Freezer operation	/4
Advice for food conservation	/5
Use of baskets	/5
Defrosting of the appliance	/6
Cleaning of the appliance	/6
Replacing the interior light bulb	/6
Defects finding guide	/7
Appliance data sheet	/8

РУС**Содержание**

Утилизация старого холодильника	/9
Утилизация упаковки	/10
Инструкция по транспортировке	/10
Общие правила безопасности	/10
Инструкция по установке	/11
Требования к электропитанию	/11
Включение и выключение морозильника	/12
Описание морозильника	/12
Эксплуатация морозильника	/12
Регулировка температуры	/12
Рекомендации по хранению продуктов	/13
Использование корзин	/13
Размораживание морозильника	/14
Чистка морозильника	/14
Замена лампочки	/15
Устранение неисправностей	/15
Технические характеристики	/16



WARNING!

In order to ensure a normal operation of your refrigerating appliance, which uses a completely environmentally friendly refrigerant the R 600a (flammable only under certain conditions) you must observe the following rules:

- ♦ Do not hinder the free circulation of the air around the appliance.
- ♦ Do not use mechanic devices in order to accelerate the defrosting, others than the ones recommended by the manufacturer.
- ♦ Do not destroy the refrigerating circuit.
- ♦ Do not use electric appliances inside the food beeping compartment, others than those that might have been recommended by the manufacturer.

ВНИМАНИЕ!

Для того, чтобы обеспечить нормальную и эффективную работу Вашего морозильника (в котором используется охлаждающий реагент R 600a, совершенно безопасный для окружающей среды и воспламеняющийся только при определенных условиях), Вам следует соблюдать следующие правила.

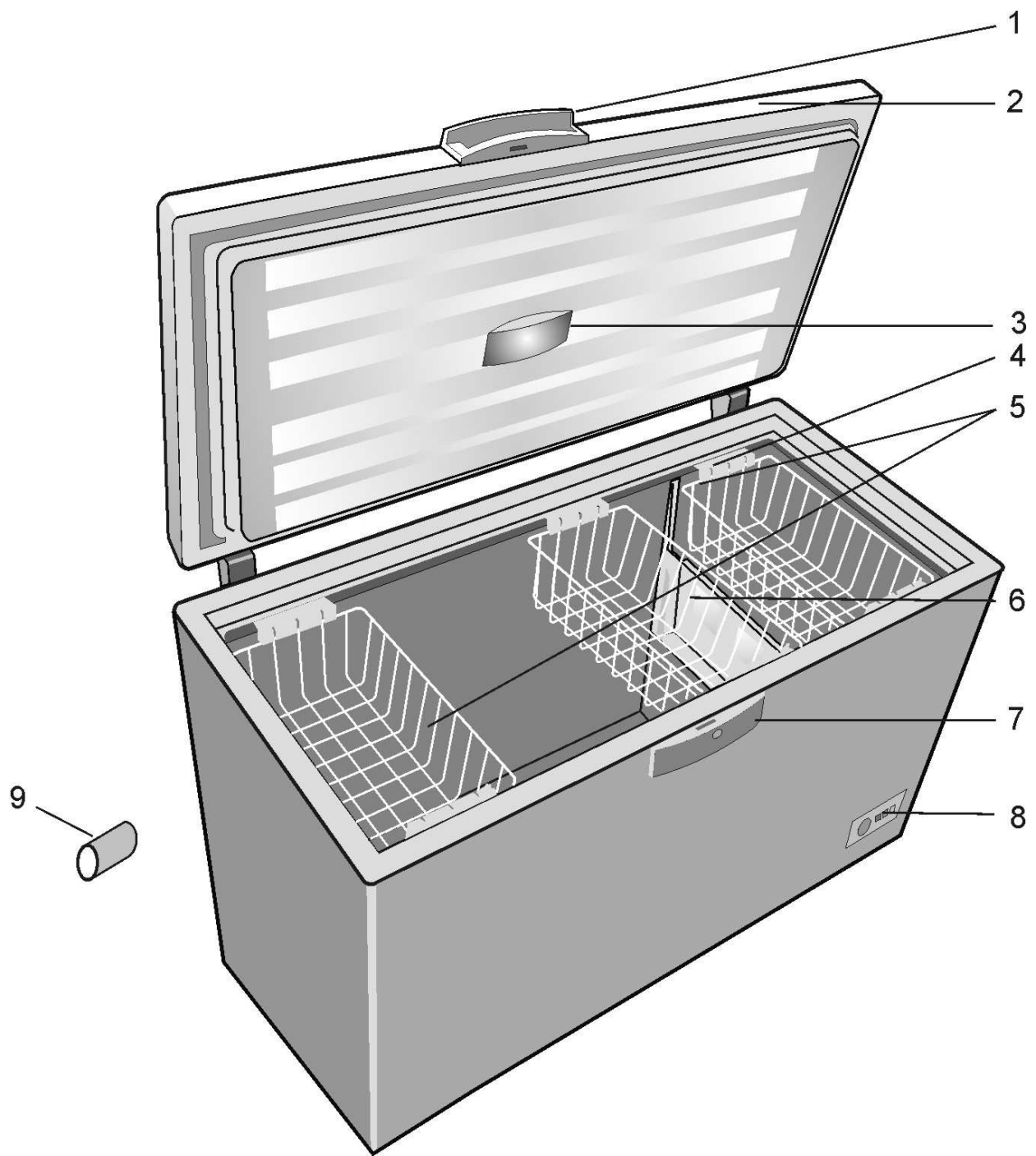
- ♦ Не создавайте препятствий для свободной циркуляции воздуха вокруг морозильника.
- ♦ Не пользуйтесь никакими механическими приспособлениями и инструментами для удаления льда при размораживании морозильника, кроме тех, которые рекомендованы изготовителем.
- ♦ Не допускайте повреждения охлаждающего контура.
- ♦ Не устанавливайте внутрь морозильного отделения, где хранятся продукты, никакие электрические устройства, кроме тех, которые рекомендованы изготовителем.

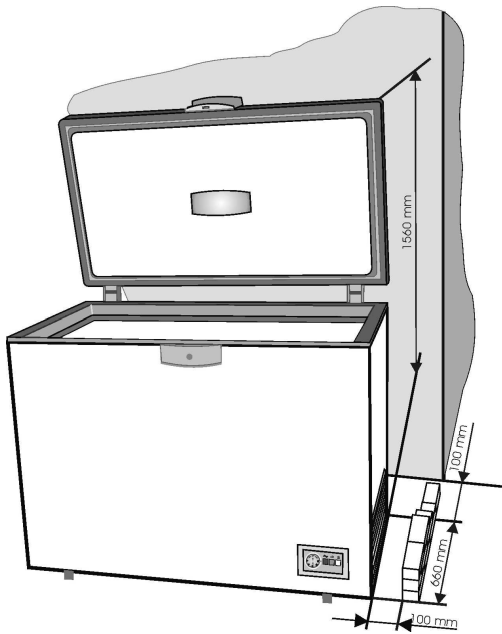
This appliance is not intended for use by person with reduced physical, sensory or mental capabilities or lack of experience and knowledge unless they have been given supervision or instruction concerning use of the appliance by a person responsible for their safety.

Children should be supervised to ensure that they do not play with the appliance.

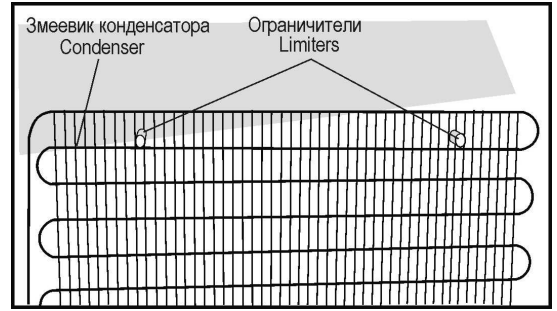
Устройство не предназначено для использования людьми со сниженными физическими или умственными способностями, а также нарушениями чувствительности. Люди, не имеющие опыта обращения с данным устройством, могут использовать его только под наблюдением опытных лиц, ответственных за безопасность.

Использование устройства детьми также должно происходить под контролем взрослых.

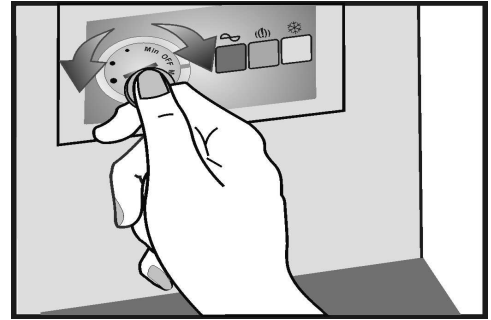




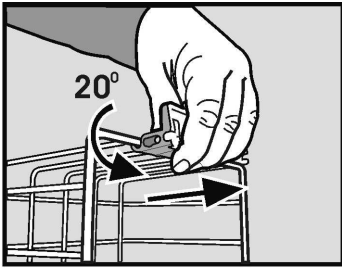
2



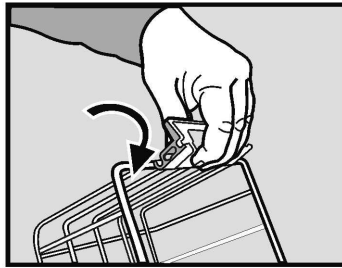
Item 3



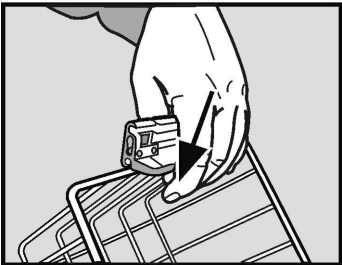
4



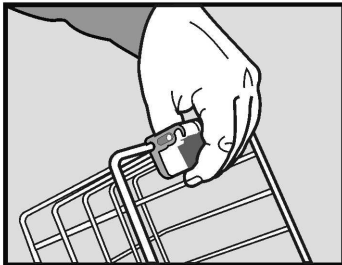
1



2

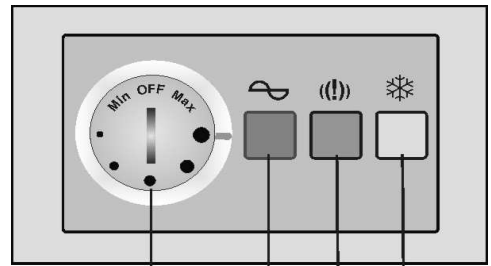


3

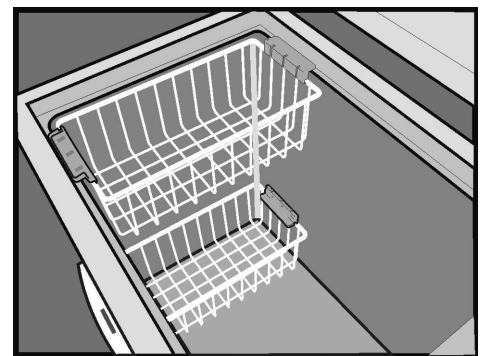


4

6



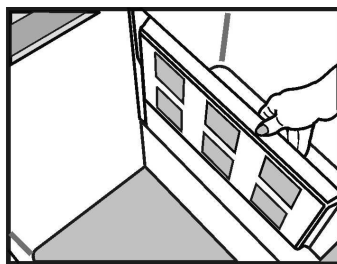
5



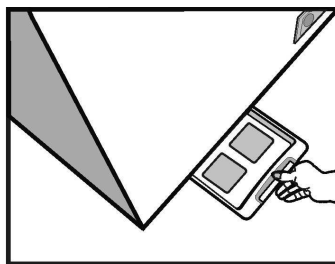
7



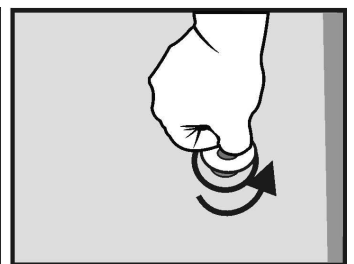
1



2



3



4

Congratulations for your choice!

The chest freezer you have purchased is one in the **BEKO** products range and represents a harmonious joining between the refrigeration technique with the aestetical outlook. It has a new and attractive design and is built according to the European and national standards which guarantee its operation and safety features. At the same time, the used refrigerant, R600a, is environment-friendly and it does not affect the ozone layer.

In order to use the best your freezer, we advise you to read carefully the information in these user instructions.

Advice for recycling your old appliance

If your newly purchased appliance replaces an older appliance, you must consider a few aspects.

The old appliances are not valueless scrap. Their disposal, while preserving the environment, allows the recovery of important raw materials.

Make your old appliance useless :

- disconnect the appliance from the supply;
- remove the supply cord (cut it);
- remove the eventual locks on the door to avoid the blocking of children inside, while playing, and the endangering of their lives.

The refrigerating appliances contain insulating materials and refrigerants which require a proper recycling.

Packing Recycling

WARNING!

Do not allow children to play with the packing or with parts of it. There is the risk of suffocation with parts of corrugated cardboard and with plastic film.

In order to get to you in good condition, the appliance was protected with a suitable packing. All the materials of the packing are compatible with the environment and recyclable. Please help us recycle the packing while protecting the environment !

IMPORTANT!

Before putting the appliance in operation, read carefully and entirely these instructions. They contain important information concerning the setting up, use and maintenance of the appliance.

The manufacturer is free of any responsibility if the information in this document are not observed. Keep the instructions in a safe place in order to reach them easily in case of need. They can also be useful subsequently by another user.

ATTENTION!

This appliance must be used only for its intended purpose, (household use), in suitable areas, far from rain, moisture or other weather conditions.

Transport instructions

The appliance must be transported, as much as possible, only in vertical position. The packing must be in perfect condition during transport.

If during transport the appliance was put in horizontal position (only according to the markings on the packing), it is advised that, before putting it into operation, the appliance is left to rest for 12 hours in order to allow the settling of the refrigerating circuit.

The failure to observe these instructions can cause the breakdown of the motorcompressor and the cancellation of its warranty.

Warnings and general advice

- Do not plug in the appliance if you noticed a failure.
- The repairs must be done only by qualified personnel.
- In the following situations please unplug the appliance from the mains:
 - when you defrost completely the appliance;
 - when you clean the appliance.

To unplug the appliance, pull by the plug, not by the cable!

- Ensure the minimum space between the appliance and the wall against which it is placed.
- Do not climb on the appliance.
- Do not allow the children to play or hide inside the appliance.
- Never use electric appliances inside the freezer, for defrosting.
- Do not use the appliance near heating appliances, cookers or other sources of heat and fire.
- Do not leave the freezer door open more than it is necessary to put in or take out the food.
- Do not leave the food in the appliance if it is not working.
- Do not keep inside products containing flammable or explosive gases.
- Do not keep inside fizzy drinks (juice, mineral water, champagne, etc.) in the freezer: the bottle can explode! Do not freeze drinks in plastic bottles.
- Do not eat ice cubes or icecream immediately after having taken them out of the freezer because they may cause „freezer burns“.
- Never touch cold metal parts or frozen food with wet hands because your hands can quickly freeze on the very cold surfaces.

- If you do not use your appliance for a few days, it is not advisable to switch it off. If you do not use it for a longer period, please proceed as follows :
 - unplug the appliance;
 - empty the freezer;
 - defrost it and clean it;
 - leave the door open to avoid the formation of unpleasant smells.
- The supply cord can be replaced only by an authorised person.
- If your appliance has a lock, keep it locked and store the key in a safe place, out of the reach of children. If you are discarding an appliance with lock, make sure that, is made ineffective. This is very important so as to avoid children being trapped inside, which may cause their loss of life.

Setting up

This appliance was designed to operate at an ambient temperature between +10°C and +32°C (SN class). If the ambient temperature is above +32°C, inside the appliance the temperature can increase.

Set up the appliance far from any source of heat and fire. Placing it in a warm room, the direct exposure to sunbeams or near a heat source (heaters, cookers, ovens), will increase the energy consumption and shorten the product life.

- Please observe the following minimum distances:
 - 100 cm from the cookers working with coal or oil;
 - 150 cm from the electric and gas cookers.
- Ensure the free circulation of the air around the appliance, by observing the distances shown in Item 2.

Assemble on the condenser (in the rear side) the supplied spacers. (Item 3).

- Place the appliance in a perfectly even, dry and well ventilated place.
- Assemble the supplied accessories.

Electric connection

Your appliance is intended to operate at a single-phase voltage of 220-240V/50 Hz. Before plugging in the appliance, please make sure that the parameters of the mains in your house (voltage, current type, frequency) comply to the operation parameters of the appliance.

- The information concerning the supply voltage and the absorbed power is given on the marking label placed in the back side of the freezer.
- The electric installation must comply with the law requirements.
- **The earthing of the appliance is compulsory. The manufacturer has no responsibility for any damage to persons, animals or goods which may arise from the failure to observe the specified conditions.**
- The appliance is endowed with a supply cord and a plug (European type, marked 10/16A) with double earthing contact for safety. If the socket is not the same type with the plug, please ask a specialised electrician to change it.
- Do not use extension pieces or multiple adapters.

Switching off

The switching off must be possible by taking the plug out of the socket or by means of a mains two-poles switch placed before the socket.

Operation

Before putting into operation, clean the inside of the appliance (see chapter „Cleaning“). After finishing this operation please plug in the appliance, adjust the thermostat knob to an average position. The green and red LEDs in the signalling block must light. Leave the appliance work for about 2 hours without putting food inside it. The freezing of the fresh food is possible after min. 20 hours of operation.

Appliance description

(Item. 1)

1. Door handle
2. Door
3. Lamp housing
4. Basket handle
5. Baskets
6. Try
7. Lock housing
8. Thermostat box
9. Spacer for transport

Freezer operation

Temperature adjustment

The temperature of the freezer is adjusted by means of the knob assembled on the thermostat (item. 4), position „MAX“ being the lowest temperature.

The achieved temperatures can vary according to the conditions of use of the appliance, such as: place of the appliance, ambient temperature, frequency of door opening, extent of filling with food of the freezer. The position of the thermostat knob will change according to these factors. Normally, for an ambient temperature of approx. 32⁰C, the thermostat will be adjusted on an average position.

The signalling system is placed on the front side of the freezer (Item 5).

It includes:

1. Thermostat adjustment knob – the inside temperature is adjusted.
2. green LED – shows that the appliance is supplied with electric energy.
3. red LED – damage – lights if the temperature in the freezer is too high. The LED will operate 15-45 minutes after the putting into operation of the freezer, then it must go off. If the LED goes on during the operation, this means that defects have occurred.
4. Orange button– fast freeze – by pushing it the orange led goes on, showing that the appliance entered into the "fast freeze" mode . The exit of this mode is done by pushing the button again, and the orange led goes off.

The three LEDs give information about the mode of operation of the freezer.

Advice for food conservation

The freezer is intended to keep the frozen food for a long time, as well as to freeze fresh food.

One of the main elements for a successful food freezing is the packing.

The main conditions that the packing must fulfill are the following: to be airtight, to be inert towards the packed food, to resist to low temperatures, to be proof to liquids, grease, water vapours, smells, to be able to be washed.

These conditions are fulfilled by the following types of packings: plastic or aluminium film, plastic and aluminium vessels, waxed cardboard glasses or plastic glasses.

IMPORTANT!

- For freezing the fresh food please use the supplied baskets of the appliance.
- Do not place into the freezer a too large quantity of food at a time. The quality of the food is best kept if they are deeply frozen as quickly as possible. This is why it is advisable not to exceed the freezing capacity of the appliance specified in the "Appliance data sheet" (page 7). In order to reduce the freezing time, push the button for „fast freeze”.
- The fresh food must not come into contact with the food already frozen.
- The frozen food you have bought can be placed into the freezer without having to adjust the thermostat.

- If the freezing date is not mentioned on the packing, please take into consideration a period of max. 3 months, as a general guide.
- The food, even partially defrosted, cannot be frozen again, it must be consumed immediately or cooked and then refrozen.
- The fizzy drinks will not be kept in the freezer.
- In case of a power failure, do not open the door of the appliance. The frozen food will not be affected if the failure lasts less than 40 hours.

DO NOT FORGET!

After 24 hours since the food was placed inside, please cancel the "fast freeze" mode by pushing again the button 4, when the orange led goes off.

Use of baskets

The baskets can be introduced into the appliance on the bottom of the cabinet liner and superposed. To do so please proceed as follows:

1. Rotate the handle 20° then pull the handle in the direction shown by the arrow (item 6.1). Following this operation you get the position of the handle as in item 6.2.
2. Rotate the handle in the direction shown by the arrow (item 6.2) until it gets the position in item 6.3.
3. Fasten the handle on the wire by moving it in the direction shown by the arrow (item 6.3).
4. Thus it is obtained the assembled basket with the handle in the shown position to be put inside the cabinet of the appliance (item 6.4).

The baskets can be placed into the freezer as follows (item 7).

Defrosting of the appliance

- We advise you to defrost the freezer at least twice a year or when the ice layer has an excessive thickness.
- The ice build-up is a normal phenomenon.
- The quantity and the rapidity of ice build-up depends on the ambient conditions and on the frequency of the door opening.
- We advise you to defrost the appliance when the quantity of frozen food is the least.
- Before defrosting, adjust the thermostat knob to a higher position so that the food stores more cold.

- Unplug the appliance.

- Take out the frozen food, wrap it in several sheets of paper and put them in refrigerator or a cool place.

Take the separator panel and put it under the freezer in the direction of the dripping tube. Take out the obstructing plug. The water which results will be collected in the special tray (separator panel). After the melting of the ice and the run-off of the water please wipe with a cloth or with a sponge, then dry well. Put the obstruction plug back in its place. (Item. 8)

For a fast thaw please leave the door open.

Do not use sharp metal objects to remove the ice.

Do not use hairdriers or other electric heating appliances for defrosting.

Inside cleaning

Before starting the cleaning, unplug the appliance from the mains.

- It is advisable to clean the appliance when you defrost it.
- Wash the inside with lukewarm water where you add some neutral detergent. Do not use soap, detergent, gasoline or acetone which can leave a strong odour.
- Wipe with a wet sponge and dry with a soft cloth.

During this operation, avoid the excess of water, in order to prevent its entrance into the thermal insulation of the appliance, which would cause unpleasant odours.

Do not forget to clean also the door gasket especially the bellow ribs, by means of a clean cloth.

Outside cleaning

- Clean the outside of the freezer by means of a sponge soaked in soapy warm water, wipe with a soft cloth and dry.
- The cleaning of the outside part of the refrigerating circuit (motorcompressor, condenser, connection tubes) will be done with a soft brush or with the vacuum-cleaner. During this operation, please take care not to distort the tubes or detach the cables.

Do not use scouring or abrasive materials !

- After having finished the cleaning, replace the accessories at their places and plug in the appliance.

Replacing the interior light bulb

If the lamp burns out, disconnect the appliance from the mains. Take out the lamp trim. Make sure the lamp is screwed correctly. Plug in the appliance again. If the lamp still does not go on, replace it with another one model E14-15W. Mount back the lamp trim in its place.

Defects finding guide

The appliance does not work.

- There is a power failure.
- The plug of the supply cord is not inserted well into the socket.
- The fuse is blown.
- The thermostat is in „OFF” position.

The temperatures are not low enough (red LED on).

- The food prevents the door closing.
- The appliance was not placed correctly.
- The appliance is placed too close to a heat source.
- The thermostat knob is not in the correct position.

Excessive ice build-up

- The door was not closed properly.

The inside lighting does not work

- The lamp is blown. Unplug the appliance from the mains, take out the lamp and replace it with a new one.

The following are not defects

- Possible noddings and cracks coming from the product: circulation of the refrigerant in the system.

Noises during operation

In order to keep the temperature at the value you have adjusted, the compressor of the appliance starts periodically.

The noises which can be heard in such situation are normal.

They are redced as soon as the appliance reaches the operation temperature.

The humming noise is made by the compressor. It can become a little stronger when the compressor starts.

The bubbling and gurgling noises coming from the refrigerant circulating in the pipes of the appliance, are normal operating noises.

Warning !

Never try to repair yourself the appliance or its electric components. Any repair made by an unauthorised person is dangerous for the user and can result in the warranty cancellation.

Appliance data sheet

BRAND	BEKO
MODEL	HSA40550
APPLIANCE TYPE	CHEST FREEZER * ** *
Total gross volume (l)	374
Total useful volume (l)	360
Freezing capacity (kg/24 h)	20
Energy efficiency class (1)	B
Energy consumption (kWh/an) (2)	394
Autonomy (hours)	40
Noise (dB (A) re 1 pW)	41
Ecological refrigerating agent R 600a	
(1) Energy classes : A . . . G (A = economical . . . G = less economical)	
(2) The real power consumption depends on the using conditions and on the appliance location.	

Поздравляем Вас с удачной покупкой

Морозильник, который Вы купили – это новейшая модель в серии изделий, отлично сочетающая современные технологии и эстетический дизайн. Она разработана в соответствии с европейскими стандартами, гарантирующими качество и безопасность эксплуатации.

Используемый в морозильнике охлаждающий реагент R600a, безвреден для окружающей среды и не причиняет вред озоновому слою.

Для того, чтобы пользоваться морозильником максимально эффективно, внимательно прочитайте эту инструкцию, чтобы узнать о всех его возможностях.

Утилизация старого холодильника

Если Вы купили новый холодильник и собираетесь выбросить старый, советуем Вам принять во внимание следующие важные моменты:

Ваш старый холодильник – это не бесполезный металлолом. В процессе его утилизации могут быть повторно использованы многие полезные детали и материалы.

Прежде чем выбрасывать старый холодильник, сделайте следующее:

- отключите его от электросети;
- снимите (отрежьте) провод электропитания;
- снимите с двери замки (если они есть), чтобы дети во время игры не оказались в нем запертыми.

В холодильнике используются термоизоляционные материалы и охлаждающий реагент, которые требуют правильной утилизации.

Утилизация упаковки

Внимание!

Не разрешайте детям играть с упаковочными материалами. Это может быть опасно.

Все упаковочные материалы разработаны с учетом требований защиты окружающей среды, и мы советуем Вам обеспечить правильную их утилизацию.

Важное замечание!

Прежде чем включать холодильник, внимательно прочитайте эту инструкцию. В ней содержатся важные сведения по установке, эксплуатации и обслуживанию морозильника.

Изготовитель не несет ответственности за повреждение холодильника, если нарушаются вышеупомянутые рекомендации. Сохраните эту инструкцию для возможного использования в дальнейшем. А если Вы передадите этот морозильник кому-нибудь другому, не забудьте отдать и эту инструкцию.

Важное замечание!

Морозильник должен использоваться только по назначению (для бытовых целей). Он должен стоять в надлежащем месте, быть защищенным от дождя, повышенной влажности и других атмосферных воздействий.

Инструкция по транспортировке

Морозильник должен транспортироваться только в вертикальном положении.

Заводская упаковка при транспортировке не должна быть повреждена.

Если во время транспортировки морозильник был помещен горизонтально, им не следует пользоваться по крайней мере 12 часов для того, чтобы все его системы пришли в норму.

Изготовитель не несет ответственности за повреждение морозильника, если нарушаются вышеупомянутые рекомендации.

Общие правила безопасности

- Не включайте морозильник, если заметили какую-либо неисправность.
- Ремонт морозильника может только квалифицированный специалист.
- Обязательно отсоединяйте морозильник от электрической сети в следующих случаях:
 - когда Вы полностью размораживаете морозильник;
 - когда Вы собираетесь вымыть морозильник.

Отсоединяя морозильник от электрической сети, не дергайте за провод, вытаскивайте вилку.

- Устанавливайте морозильник так, чтобы между ним и стеной было минимально необходимое свободное пространство.
- Не вставляйте на морозильник.
- Не позволяйте детям прятаться внутри морозильника.
- Не пользуйтесь электронагревательными приборами при размораживании морозильника.
- Не устанавливайте морозильник вблизи отопительных приборов, кухонных плит и других источников высокой температуры.
- Не оставляйте морозильник открытым больше, чем это необходимо. Для того, чтобы достать из него или положить в него продукты.
- Не оставляйте в выключенном морозильнике продукты.
- Не храните в морозильнике предметы, содержащие легко воспламеняющиеся или взрывоопасные газы.
- Не храните в морозильнике газированные напитки (соки, минеральную воду, шампанское и т. п.). Бутылки могут разорваться. Не замораживайте напитки в пластиковых бутылках.
- Не ешьте мороженое и лед сразу же из морозильника. Вы можете обморозить губы.

- Не трогайте металлические части внутри морозильника и замороженные продукты мокрыми руками. Вы можете обморозить руки.
- Если Вы не собираетесь пользоваться морозильником несколько дней, не следует
- Его выключать. Если Вы не будете пользоваться им длительное время, то обязательно выключите его, выполнив следующие действия:
 - отсоедините его от электрической сети;
 - достаньте из него все продукты;
 - Разморозьте морозильник и вымойте его;
 - Оставьте морозильник открытым, чтобы избежать образования внутри него посторонних запахов.
- Электрический провод, если это необходимо, должен заменять только квалифицированный электрик.
- Если морозильник снабжен замком, держите его запертым на замок и храните ключ в надежном месте, недоступном для детей. Если Вы выбрасываете морозильник, у которого есть замок, предварительно выведите замок из строя. Дети, играя со старым морозильником, могут оказаться запертыми в нем. Это может привести к несчастному случаю.

Инструкция по установке

Морозильник рассчитан на работу при температуре в помещении в пределах от +10 до +32 °C (класс SN). При более высокой температуре внутри морозильника может устанавливаться излишне высокая температура.

Не устанавливайте морозильник вблизи кухонных плит или радиаторов отопления. Если Вы поставите морозильник в теплой комнате, там, где на него падает прямой солнечный свет, или вблизи отопительных приборов и источников высокой температуры, это приведет к чрезмерному потреблению электроэнергии и, в конечном счете, сократит срок службы морозильника.

- Обеспечьте следующее минимальное расстояние:
 - от кухонных плит, работающих на угле или жидком топливе - 100 см;

- от электрических или газовых кухонных плит - 150 см.
- Для эффективной работы морозильника между ним и стеной должно оставаться пространство, достаточное для свободной циркуляции воздуха. (рис. 2).
- Укрепите на змеевике конденсатора на задней стенке морозильника ограничители (рис. 3).
- Морозильник должен стоять в сухом, хорошо проветриваемом помещении на ровном полу.
- Установите все дополнительные приспособления, входящие в комплект.

Требования к электропитанию

Морозильник рассчитан на однофазный электрический ток напряжением 220-240 В и частотой 50 Гц.

Прежде чем включать морозильник, убедитесь, что напряжение и частота тока, на которые рассчитан морозильник, соответствуют напряжению и частоте тока в электрической сети Вашего дома.

- Информация, касающаяся потребления электроэнергии, указана на информационной табличке на задней стенке морозильника.
- При подключении морозильника к электрической сети следует соблюдать действующие правила эксплуатации электрических приборов данного типа.
- Морозильник должен быть подключен к электрической сети только через заземленную розетку. Изготовитель не несет никакой ответственности за несчастные случаи, вызванные несоблюдением данных указаний.
- Морозильник снабжен электрическим проводом с вилкой (европейский тип, 10/16 А) с двойным заземляющим контактом. Если розетка в Вашем доме не соответствует этому типу, обратитесь к квалифицированному электрику для ее замены.
- Не пользуйтесь удлинителями электрического провода и переходниками.

Включение и выключение морозильника

Прежде чем включать морозильник, вымойте его внутри (см. раздел «Чистка морозильника»), после чего вставьте электрическую вилку в розетку и установите ручку регулировки температуры в среднее положение. Должны загореться зеленая и красная индикаторные лампочки. Дайте морозильнику поработать не менее двух часов, прежде чем помешать в него продукты. Замораживание свежих продуктов возможно только через 20 часа после включения.

Выключить морозильник можно, вытащив электрическую вилку из розетки.

Описание морозильника (рис. 1)

1. Ручка
2. Крышка
3. Освещение
4. Ручка корзины
5. Корзины
6. Поддон (разделительная перегородка)
7. Замок
8. Термостат
9. Упор для транспортировки

Эксплуатация морозильника

Регулировка температуры

Температура внутри морозильника регулируется ручкой термостата (рис. 4). Самой низкой температуре соответствует положение «MAX».

Температура внутри морозильника зависит от условий эксплуатации: от места, где стоит морозильник, от температуры в помещении, от того, как часто Вы открываете морозильник, от того, сколько в нем продуктов. В соответствии с этими условиями изменяйте положение ручки термостата. При нормальной эксплуатации при температуре в помещении не выше 32 °C ставьте ручку термостата в среднее положение.

Система индикации расположена на передней стенке морозильника (рис. 5).

В нее входят

1. Ручка термостата – с ее помощью регулируется температура внутри морозильника.
2. Зеленая индикаторная лампочка – она показывает что морозильник включен в электрическую сеть.
3. Красная индикаторная лампочка - неисправность – загорается в том случае, если температура внутри морозильника повысилась выше допустимого уровня. После первого включения морозильника красная лампочка горит примерно 15-45 минут, после чего должна погаснуть. Если она загорается при обычной эксплуатации, это значит, что возникла какая-то неисправность.
4. Кнопка с оранжевой подсветкой – быстрая заморозка. Нажмите на нее для того, чтобы включить режим быстрой заморозки. Для того, чтобы прервать быструю заморозку, нажмите на эту кнопку повторно.
5. Эти три лампочки показывают, в каком режиме работает морозильник

Рекомендации по хранению продуктов

Морозильник предназначен для хранения замороженных продуктов в течение длительного времени.

Важным фактором, влияющим на срок хранения продуктов, является упаковка.

Упаковка должна отвечать следующим требованиям: быть воздухопроницаемой, быть нейтральной по отношению к хранимым продуктам, быть устойчивой к воздействию низкой температуры, жидкостей, масла препятствовать прохождению запахов и водяных паров.

Этим условиям удовлетворяют следующие упаковочные материалы: пластиковая пленка, алюминиевая фольга, пластиковые или алюминиевые контейнеры, стаканчики из вощеного картона или пластмассовые стаканы.

Важное замечание !

- Для замораживания свежих продуктов используйте прилагаемые корзины.

- Не кладите в морозильник слишком много свежих продуктов за раз. Продукты лучше сохраняют свои свойства, если они заморожены как можно быстрее. Поэтому, замораживая свежие продукты, не перегружайте морозильник выше его замораживающей мощности (см. Раздел «Технические характеристики», стр. 7). Для ускорения замораживания продуктов пользуйтесь режимом быстрой заморозки.

- Свежие продукты не должны соприкасаться с уже замороженными продуктами.

- При укладке в морозильник купленных замороженных продуктов нет необходимости перенастраивать термостат.

- Если на упаковке замороженных продуктов не указан срок хранения, лучше не хранить их дольше 3-х месяцев.

- Если продукты разморозились (хотя бы частично), их нельзя повторно замораживать. Их следует употребить в пищу или проварить и только после этого заморозить снова.

- Нельзя хранить в морозильнике газированные напитки.

- В случае перебоев с электроснабжением, не открывайте морозильник. С продуктами ничего не случится в течение 40 часов.

Важное замечание

Включив режим быстрой заморозки для замораживания свежих продуктов, не забудьте отключить его не позднее, чем через 24 часа. Для этого нажмите кнопку с оранжевой подсветкой.

Использование корзин

Корзины можно навешивать на стенки или ставить на дно морозильника. Для того, чтобы снять корзины, сделайте следующее.

1. Поверните ручку корзины на 20° и поднимите ее в направлении стрелки (см. рис. 6.1). Ручка примет положение, показанное на рисунке 6.2.
2. Поверните ручку, как показано на рисунке 6.3.
3. Закрепите ее на корзине, повернув в направлении, указанном на рисунке 6.3
4. В таком положении корзину можно поставить на дно (рис. 6.4).

Корзины можно размещать в морозильнике и так, как показано на рисунке 7.

Размораживание морозильника

- Советуем Вам размораживать морозильник по крайней мере два раза в год или, когда на стенках образуется слишком много льда.
- Образование льда и инея – это вполне нормальное явление.
- Скорость, с которой образуется лед, зависит от температуры и влажности в помещении и от того, как часто Вы открываете морозильник.
- Рекомендуется размораживать морозильник, когда в нем мало продуктов.
- Перед тем, как размораживать морозильник, установите с помощью термостата максимально низкую температуру, чтобы как можно сильнее заморозить хранящиеся продукты.
 - Отключите морозильник от электросети, вытащив провод из розетки.
 - Вытащите из морозильника продукты, заверните их в несколько слоев бумаги и поместите в холодное место.
- Вытащите разделительную перегородку (поддон) и положите ее под морозильник под сливную трубку. Вытащите из сливной трубки пробку. Талая вода будет скапливаться в поддоне.
- По окончании размораживания вымойте морозильник внутри. Заткните сливную трубку пробкой (рис. 8).
- Для ускорения размораживания держите морозильник открытым.

Никогда не пользуйтесь острыми или режущими инструментами (типа ножей или вилок) для удаления льда.

Никогда не пользуйтесь феном для сушки волос и другими электронагревательными приборами для размораживания морозильника.

Чистка морозильника

Чистка внутри

Перед тем, как приступать к чистке морозильника, отсоедините его от электрической сети, вытащив вилку из электрической розетки.

Рекомендуем чистить морозильник, когда Вы его размораживаете.

- Вымойте морозильник внутри теплой водой с добавлением нейтрального моющего средства. Не используйте мыло, стиральный порошок, бензин, ацетон и другие вещества с сильным запахом.
 - Протрите морозильник внутри сухой губкой и насухо вытрите сухой тряпкой. Не лейте много воды, иначе вода может попасть в теплоизоляцию, что приведет к появлению неприятного запаха.
- Не забудьте также проверить и прочистить уплотнительную прокладку на крышке морозильника. Пользуйтесь для этого сухой тряпкой.

Чистка снаружи

- Протрите корпус морозильника снаружи губкой, смоченной в теплой воде, и насухо вытрите его мягкой тряпкой.
- Пыль с наружных деталей охлаждающей системы (компрессор, змеевик конденсатора, соединительные трубки) удаляйте кисточкой и пылесосом. Следите за тем, чтобы не погнуть трубки и не повредить провода.

Не пользуйтесь абразивными порошками.

- Закончив чистку, установите на место все аксессуары и включите морозильник.

Чистка снаружи

- Протрите корпус морозильника снаружи губкой, смоченной в теплой воде, и насухо вытрите его мягкой тряпкой.

- Пыль с наружных деталей охлаждающей системы (компрессор, змеевик конденсатора, соединительные трубки) удаляйте кисточкой и пылесосом. Следите за тем, чтобы не погнуть трубки и не повредить провода.

Не пользуйтесь абразивными порошками.

- Закончив чистку, установите на место все аксессуары и включите морозильник.

Замена лампочки

Если лампочка не горит, отсоедините морозильник от электрической сети. Снимите защитное стекло и проверьте, надежно ли завинчена лампочка. Включите морозильник снова. Если лампочка по-прежнему не горит, замените ее новой лампочкой типа E14 мощностью 15 Вт. Установите на место защитное стекло.

Устранение неисправностей

Если морозильник не работает, когда он включен, убедитесь в том, что:

- электричество не отключено;
- вилка вставлена в электрическую розетку правильно;
- что не сгорел предохранитель;
- что регулятор температуры не стоит в положении «выключено»;

Если в морозильнике высокая температура (горит красная лампочка), убедитесь в том, что:

- ничто не мешает крышке закрываться плотно;
- морозильник установлен правильно;
- морозильник не стоит вблизи источников высокой температуры;
- регулятор температуры установлен правильно.

Если в морозильнике слишком быстро образуется лед, убедитесь в том, что:

- крышка закрывается плотно.

Если не горит лампочка освещения, проверьте

- не перегорела ли лампочка. Если перегорела, замените ее на новую.

Неисправностями не являются различные шумы, возникающие при работе морозильника.

Почему морозильник шумит

Для того, чтобы поддерживать заданную температуру, морозильник периодически включается и выключается автоматически. В результате возникают шумы, что вполне нормально.

Как только температура внутри морозильника установится на заданном уровне, уровень шумов снизится. Гудение, жужжание вызывается работающим компрессором. При его включении шум может на короткое время усилиться.

Охлаждающий реагент, циркулирующий в системе охлаждения, также создает шум, как будто переливается вода по трубам.

Внимание!

Не пытайтесь устранить неисправность в работе морозильника самостоятельно. Ремонт, выполненный неквалифицированным мастером, может привести к тому, что морозильник станет опасным для эксплуатации, а гарантия будет аннулирована.

Технические характеристики

Марка	BEKO
Тип	Морозильник
Модель	HSA 40550
Тип	Морозильник с верхней крышкой
Общий объем (л)	374
Полезный объем (л)	360
Замораживающая мощность (кг/сутки)	20
Класс энергопотребления (1)	B
Потребление электроэнергии (кВт/год) (2)	394
Поддержание температуры без подачи электроэнергии (час)	40
Шум [dB(A) на 1 pW]	41
Экологически безопасный охлаждающий реагент R600a	
Класс энергопотребления: A...G (A = экономичный, G = наименее экономичный) Реальное потребление электроэнергии зависит от конкретных условий эксплуатации	



4570310200
25.08.07