

BEKO

Холодильник-морозильник
CSK38000



GB

Instruction for use

RUS

Инструкция по эксплуатации





WARNING!

In order to ensure a normal operation of your refrigerating appliance, which uses a completely environmentally friendly refrigerant the R 600a (flammable only under certain conditions) you must observe the following rules:

- ◆ Do not hinder the free circulation of the air around the appliance.
- ◆ Do not use mechanic devices in order to accelerate the defrosting, others than the ones recommended by the manufacturer.
- ◆ Do not destroy the refrigerating circuit.
- ◆ Do not use electric appliances inside the food beeping compartment, others than those that might have been recommended by the manufacturer.

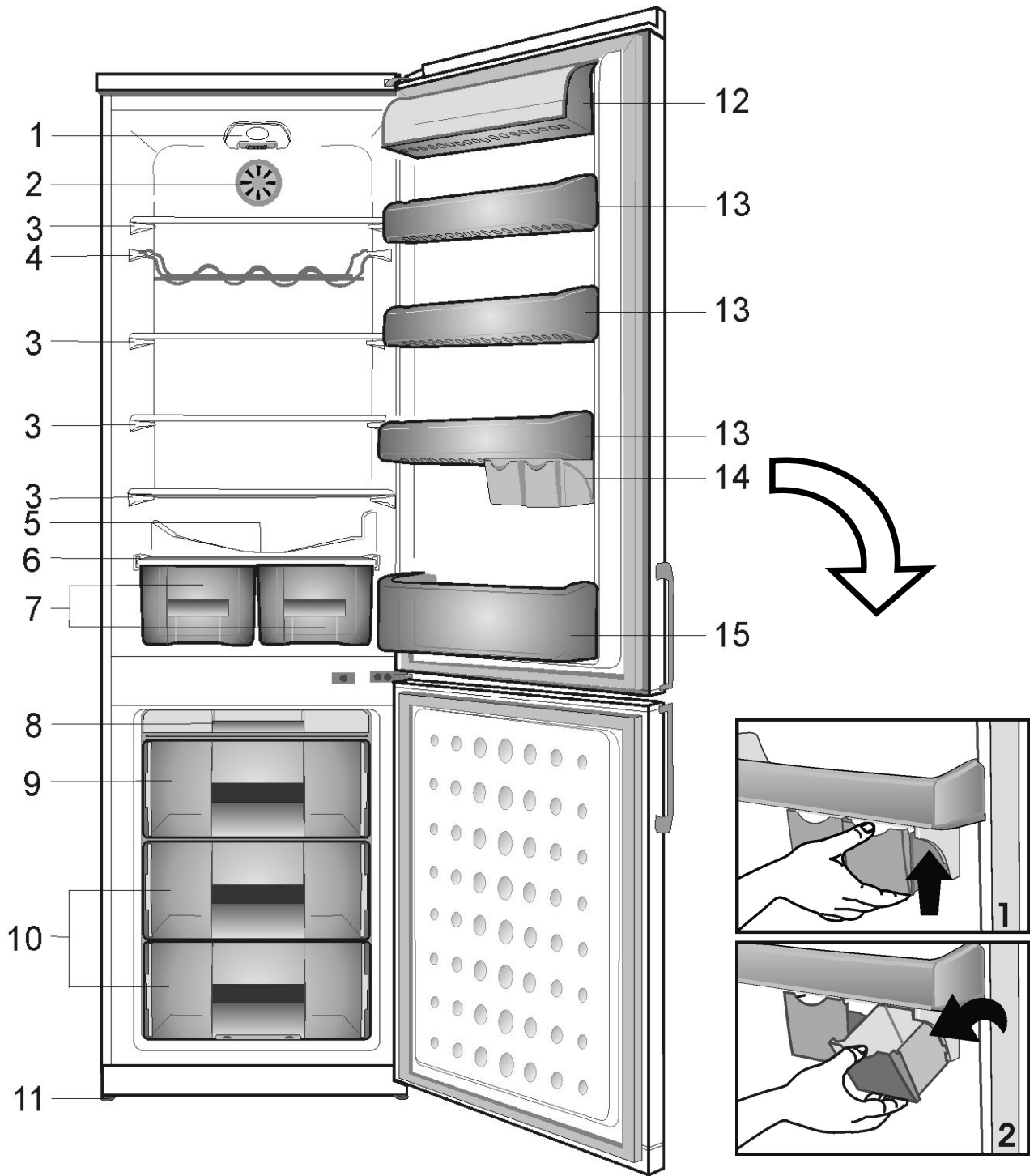
ВНИМАНИЕ

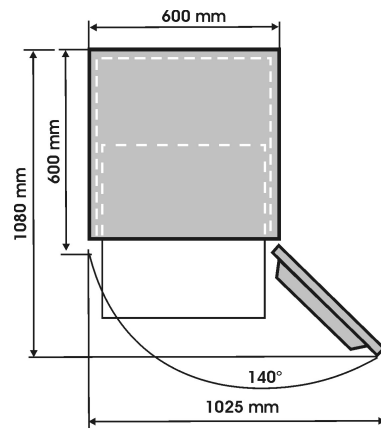
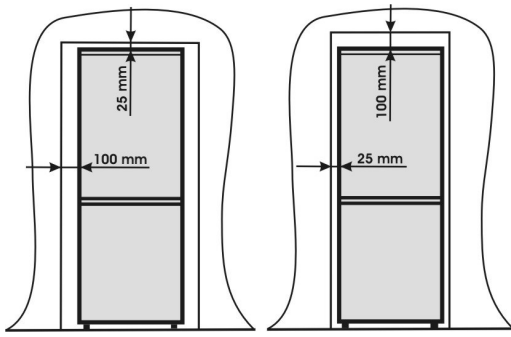
Для того, чтобы обеспечить нормальную работу Вашего холодильника в котором используется охлаждающий реагент R 600a, совершенно безвредный для окружающей среды (воспламеняющийся только в определенных условиях), Вам следует соблюдать следующие правила.

- ◆ Не создавайте препятствий для свободной циркуляции воздуха вокруг холодильника.
- ◆ Не пользуйтесь никакими механическими приспособлениями и инструментами для удаления льда при размораживании холодильника, кроме тех, которые рекомендованы изготовителем.
- ◆ Не допускайте повреждения охлаждающего контура.
- ◆ Не устанавливайте внутрь холодильного отделения, где хранятся продукты, никакие электрические устройства, кроме тех, которые рекомендованы изготовителем.

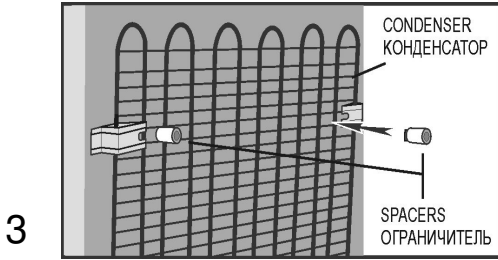
Safety first /1
Electrical requirements /2
Transportation instructions /2
Installation instructions /2
Getting to know your appliance /3
Suggested arrangement of food in the appliance /3
Temperature control and adjustment /4
Before operating /4
Storing frozen food /4
Freezing fresh food /4
Making ice cubes /5
Defrosting /5
Replacing the interior light bulb /5
Cleaning and care /5
Repositioning the door /6
Do's and don'ts /6
Information about operating noises /7
Trouble – shooting /8
Technical data /8

Безопасность прежде всего /9
Требования к электропитанию /10
Инструкция по транспортировке /10
Инструкция по установке /10
Общие сведения о холодильнике /11
Рекомендуемый способ размещения продуктов /11
Регулировка температуры /12
Перед началом работы /12
Хранение замороженных продуктов /12
Замораживание свежих продуктов /13
Замораживание льда /13
Размораживание /13
Замена лампочки внутри холодильника /13
Чистка холодильника и уход за ним /14
Перенавешивание дверей /14
Что следует и чего нельзя делать /14-15
Почему холодильник шумит? /16
Устранение неисправностей /16
Технические характеристики /17

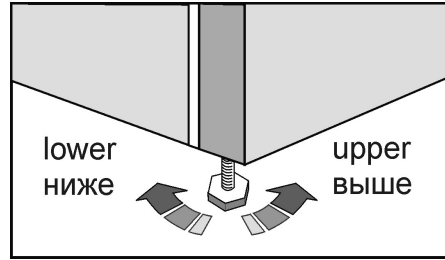




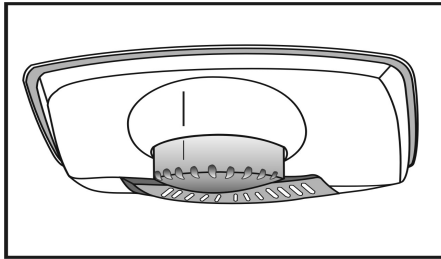
2



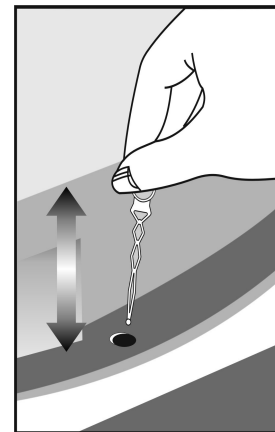
3



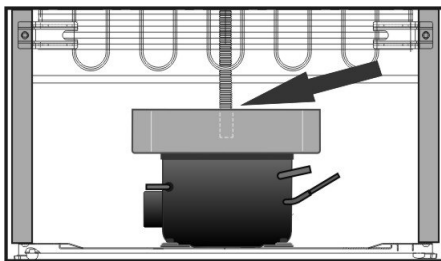
4



5



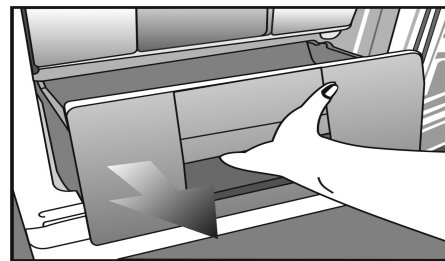
6



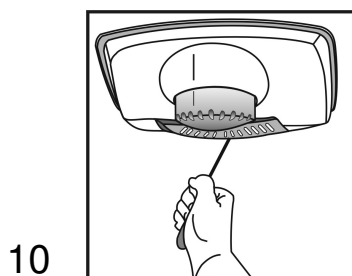
7



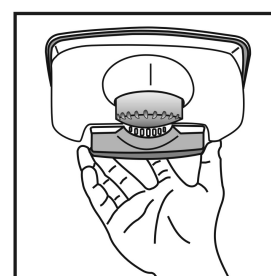
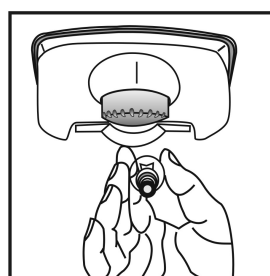
8

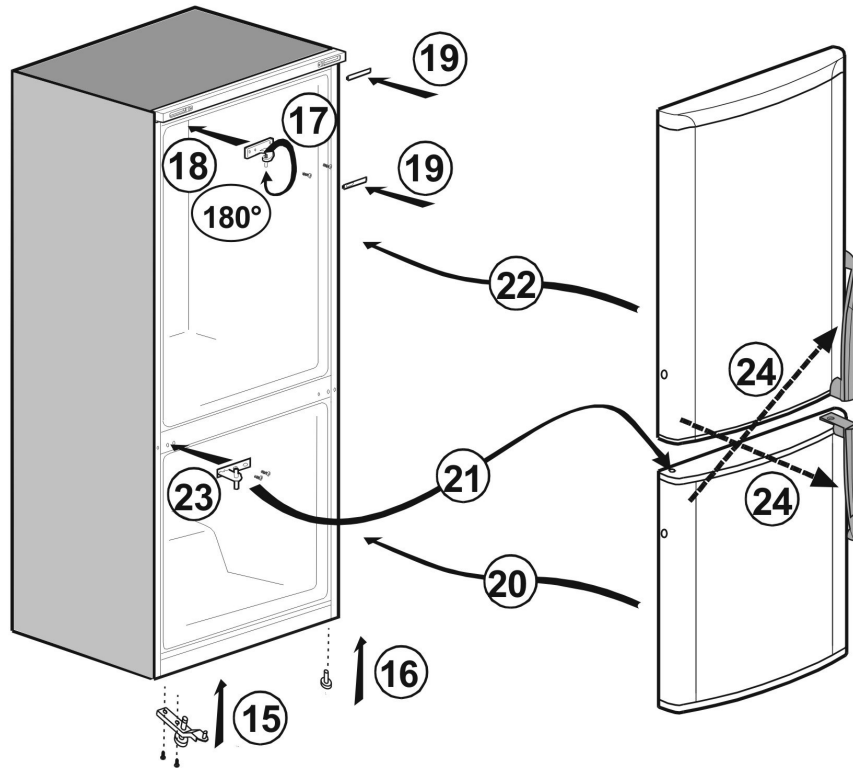
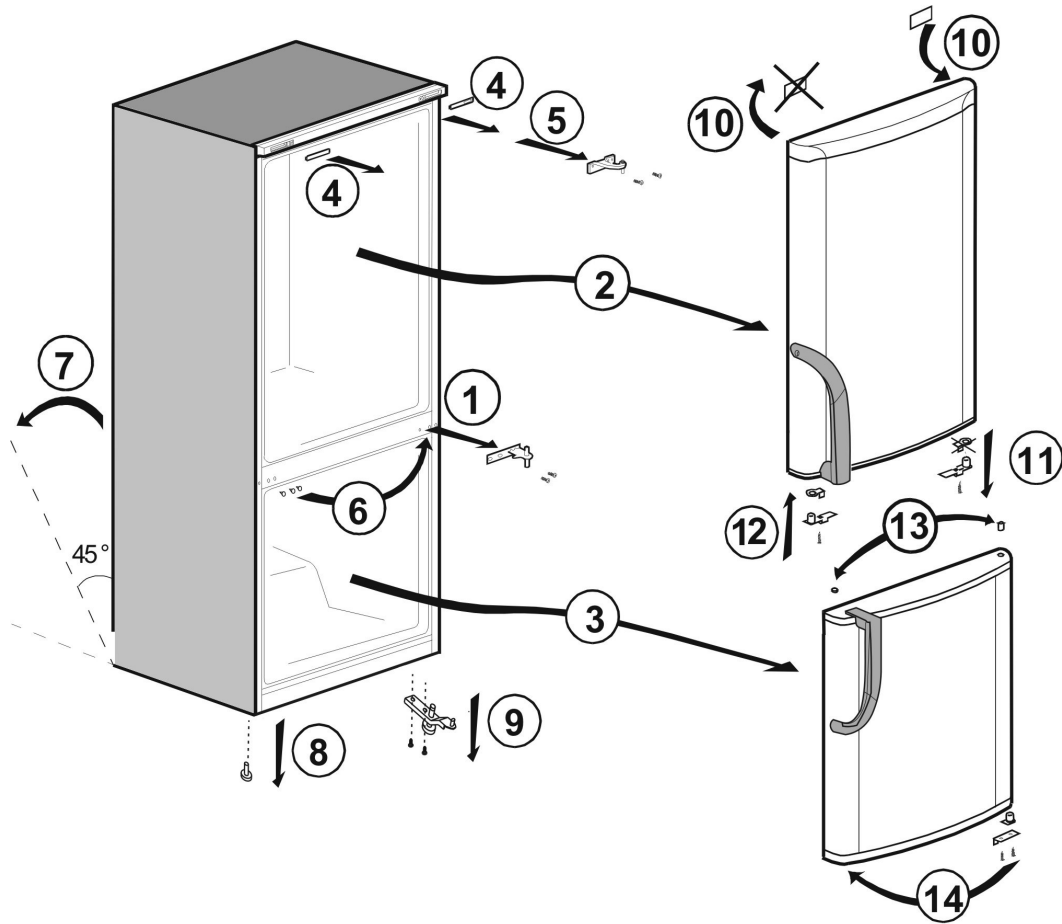


9



10





Congratulations on your choice of a **BEKO** Quality Appliance, designed to give you many years of service.

Safety first!

Do not connect your appliance to the electricity supply until all packing and transit protectors have been removed.

- Leave to stand for at least 4 hours before switching on, to allow compressor oil to settle, if transported horizontally.
- If you are discarding an old appliance with a lock or latch fitted to the door, ensure that it is left in a safe condition to prevent the entrapment of children.
- This appliance must only be used for its intended purpose.
- Do not dispose of the appliance on a fire. Your appliance contains non CFC substances in the insulation which are flammable. We suggest you contact your local authority for information on disposal and available facilities.
- We do not recommend use of this appliance in an unheated, cold room. (e.g. garage, conservatory, annex, shed, out-house etc.)

To obtain the best possible performance and trouble free operation from your appliance it is very important to read these instructions carefully. Failure to observe these instructions may invalidate your right to free service during the guarantee period.

Please keep these instructions in a safe place for easy reference.

Electrical requirements

Before inserting the plug into the wall socket make sure that the voltage and the frequency shown in the rating plate inside the appliance corresponds to your electricity supply. We recommend that this appliance is connected to the mains supply via a suitably switched and fused socket in a readily accessible position.

Warning! This appliance must be earthed.

Repairs to electrical equipment should only be performed by a qualified technician. Incorrect repairs carried out by an unqualified person are carry risks that may have critical consequences for the user of the appliance.

ATTENTION!

This appliance operates with R 600a which is an environmental friendly but flammable gas. During the transportation and fixing of the product, care must be taken not to damage the cooling system. If the cooling system is damaged and there is a gas leakage from the system, keep the product away from open flame sources and ventilate the room for a while.

WARNING - Do not use mechanical devices or other means to accelerate the defrosting process, others than those recommended by the manufacturer.

WARNING - Do not damage the refrigerant circuit.

WARNING - Do not use electrical appliances inside the food storage compartments of the appliance, unless they are of the type recommended by the manufacturer.

Transportation instructions

1. The appliance should be transported only in an upright position. The packing as supplied must be intact during transportation.

2. If during the transport the appliance, has been positioned horizontally, it must not be operated for at least 4 hours, to allow the system to settle.

3. Failure to comply with the above instructions could result in damage to the appliance, for which the manufacturer will not be held liable.

4. The appliance must be protected against rain, moisture and other atmospheric influences.

Important!

- Care must be taken while cleaning/carrying the appliance not to touch the bottom of the condenser metal wires at the back of the appliance, as this could cause injury to fingers and hands.
- Do not attempt to sit or stand on top of your appliance as it is not designed for such use. You could injure yourself or damage the appliance.
- Make sure that the mains cable is not caught under the appliance during and after moving, as this could damage the cable.
- Do not allow children to play with the appliance or tamper with the controls.

Installation instructions

1. Do not keep your appliance in a room where the temperature is likely to fall below 10 degrees C (50 degrees F) at night and/or especially in winter, as it is designed to operate in ambient temperatures between +10 and +32 degrees C (50 and 90 degrees F). At lower temperatures the appliance may not operate, resulting in a reduction in the storage life of the food.

2. Do not place the appliance near cookers or radiators or in direct sunlight, as this will cause extra strain on the appliance's functions. If installed next to a source of heat or freezer, maintain the following minimum side clearances:

From Cookers 30 mm

From Radiators 300 mm

From Freezers 25 mm

3. Make sure that sufficient room is provided around the appliance to ensure free air circulation (**Item 2**).

- Put the back airing lid to the back of your refrigerator to set the distance between the refrigerator and the wall (**Item 3**).

4. The appliance should be positioned on a smooth surface. The two front feet can be adjusted as required. To ensure that your appliance is standing upright adjust the two front feet by turning clockwise or anti-clockwise, until firm contact is secured with the floor. Correct adjustment of feet prevents excessive vibration and noise (**Item 4**).

5. Refer to "Cleaning and Care" section to prepare your appliance for use.


Getting to know your appliance (Item 1)

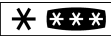
- 1 - Thermostat and lamp housing
- 2 - Fan
- 3 - Adjustable Cabinet shelves
- 4 - Wine bottles support
- 5 - Water collector
- 6 - Crisper cover
- 7 - Crispers
- 8 - Ice tray support & ice tray
- 9 - Compartment for quickly freezing
- 10 - Compartments for frozen foods keeping
- 11 - Adjustable foot
- 12 - Dairy Compartment
- 13 - Shelf for jars
- 14 - Keeping cup
- 15 - Shelf for bottles

Suggested arrangement of food in the appliance

Guidelines for obtaining optimum storage and hygiene:

1. The fridge compartment is for the short-term storage of fresh food and drinks.

2. The freezer compartment is  rated and suitable for the freezing and storage of pre-frozen food.

The recommendation for  storage as stated on the food packaging should be observed at all times.

3. Dairy products should be stored in the special compartment provided in the door liner.

4. Cooked dishes should be stored in airtight containers.

5. Fresh wrapped produce can be kept on the shelf. Fresh fruit and vegetables should be cleaned and stored in the crispers.

6. Bottles can be kept in the door section.

7. To store raw meat, wrap in polythene bags and place on the lowest shelf. Do not allow to come into contact with cooked food, to avoid contamination. For safety, only store raw meat for two to three days.

8. For maximum efficiency, the removable shelves should not be covered with paper or other materials to allow free circulation of cool air.

9. Do not keep vegetable oil on door shelves. Keep the food packed, wrapped or covered. Allow hot food and beverages to cool before refrigerating. Leftover canned food should not be stored in the can.

10. Fizzy drinks should not be frozen and products such as flavoured water ices should not be consumed too cold.

11. Some fruit and vegetables suffer damage if kept at temperatures near 0°C. Therefore wrap pineapples, melons, cucumbers, tomatoes and similar produce in polythene bags.

12. High-proof alcohol must be stored upright in tightly closed containers. Never store products that contain an inflammable propellant gas (e.g. cream dispensers, spray cans, etc.) or explosive substances. These are an explosion hazard.

Temperature control and adjustment

Operating temperatures are controlled by the thermostat knob (**Item 5**) and may be set at any position between 1 and 5 (the coldest position).

The average temperature inside the fridge should be around +5°C (+41°F).

Therefore adjust the thermostat to obtain the desired temperature. Some sections of the fridge may be cooler or warmer (such as salad crisper and top part of the cabinet) which is quite normal. We recommend that you check the temperature periodically with a thermometer to ensure that the cabinet is kept to this temperature. Frequent door openings cause internal temperatures to rise, so it is advisable to close the door as soon as possible after use.

The fan provides the uniformity of temperatures inside the refrigerator.

Before operating

Final Check

Before you start using the appliance check that:

1. The feet have been adjusted for perfect levelling.
2. The interior is dry and air can circulate freely at the rear.
3. The interior is clean as recommended under "Cleaning and care."
4. The plug has been inserted into the wall socket and the electricity is switched on.

When the door is open the interior light will come on.

And note that:

5. You will hear a noise as the compressor starts up. The liquid and gases sealed within the refrigeration system may also make some (noise), whether the compressor is running or not. This is quite normal.

6. Slight undulation of the top of the cabinet is quite normal due to the manufacturing process used; it is not a defect.

7. We recommend setting the thermostat knob midway and monitor the temperature to ensure the appliance maintains desired storage temperatures (See section Temperature Control and Adjustment).

8. Do not load the appliance immediately it is switched on. Wait until the correct storage temperature has been reached. We recommend checking the temperature with an accurate thermometer (see; Temperature Control and Adjustment).

Storing frozen food

Your freezer is suitable for the long-term storage of commercially frozen foods and also can be used to freeze and store fresh food. If there is a power failure, do not open the door. Frozen food should not be affected if the failure lasts for less than 18 hrs. If the failure is longer, then the food should be checked and either eaten immediately or cooked and then re-frozen.

Freezing fresh food

Please observe the following instructions to obtain the best results.

Do not freeze too large a quantity at any one time. The quality of the food is best preserved when it is frozen right through to the core as quickly as possible.

Do not exceed the freezing capacity of your appliance in 24 h.

Placing warm food into the freezer compartment causes the refrigeration machine to operate continuously until the food is frozen solid. This can temporarily lead to excessive cooling of the refrigeration compartment.

When freezing fresh food, keep the thermostat knob at medium position. Small quantities of food up to 1/2 kg. (1 lb) can be frozen without adjusting the temperature control knob.

Take special care not to mix already frozen food and fresh food.

Making ice cubes

Fill the ice - cube tray 3/4 full with water and place it in the freezer. Loosen frozen trays with a spoon handle or a similar implement; never use sharp-edged objects such as knives or forks.

Defrosting

A) Fridge compartment

The fridge compartment defrosts automatically. The defrost water runs to the drain tube via a collection container at the back of the appliance (**Item 6**).

During defrosting, water droplets may form at the back of the fridge compartment where a concealed evaporator is located. Some droplets may remain on the liner and refreeze when defrosting is completed. Do not use pointed or sharp-edged objects such as knives or forks to remove the droplets which have refrozen.

If, at any time, the defrost water does not drain from the collection channel, check that no food particles have blocked the drain tube. The drain tube can be cleared with a pipe-cleaner or similar implement.

Check that the tube is permanently placed with its end in the collecting tray on the compressor to prevent the water spilling on the electric installation or on the floor (**Item 7**).

B) Freezer compartment

Defrosting is very straightforward and without mess, thanks to a special defrost collection basin.

Defrost twice a year or when a frost layer of around 7 (1/4") mm has formed. To start the defrosting procedure, switch off the appliance at the socket outlet and pull out the mains plug.

All food should be wrapped in several layers of newspaper and stored in a cool place (e.g. fridge or larder).

Containers of warm water may be placed carefully in the freezer to speed up the defrosting.

Do not use pointed or sharp-edged objects, such as knives or forks to remove the frost.

Never use hairdryers, electrical heaters or other such electrical appliances for defrosting. Sponge out the defrost water collected in the bottom of the freezer compartment. After defrosting, dry the interior thoroughly (**Item 8 & 9**). Insert the plug into the wall socket and switch on the electricity supply.

Replacing the interior light bulb

Should the light fail, switch off at the socket outlet and pull out the mains plug.

Then ensure the bulb is screwed securely in the bulb holder. Replace the plug and switch on.

If the light still fails, obtain a replacement E14 screw-cap type 15 Watt (Max) bulb from your local electrical store and then fit it (**Item 10**). Carefully dispose of the burnt-out light bulb immediately.

Cleaning and care

1. We recommend that you switch off the appliance at the socket outlet and pull out the mains plug before cleaning.

2. Never use any sharp instruments or abrasive substances, soap, household cleaner, detergent or wax polish for cleaning.

3. Use luke warm water to clean the cabinet of the appliance and wipe it dry.

4. Use a damp cloth wrung out in a solution of one teaspoon of bicarbonate of soda to one pint of water to clean the interior and wipe it dry.

5. Make sure that no water enters the temperature control box.

6. If the appliance is not going to be used for a long period of time, switch it off, remove all food, clean it and leave the door ajar.

7. We recommend that you polish the metal parts of the product (i.e. door exterior, cabinet sides) with a silicone wax (car polish) to protect the high quality paint finish.

8. Any dust that gathers on the condenser, which is located at the back of the appliance, should be removed once a year with a vacuum cleaner.

9. Check door seals regularly to ensure they are clean and free from food particles.

10. Never:

- Clean the appliance with unsuitable material; eg petroleum based products.
- Subject it to high temperatures in any way,
- Scour, rub etc., with abrasive material.

11. Removal of dairy cover and door tray :

- To remove the dairy cover, first lift the cover up by about an inch and pull it off from the side where there is an opening on the cover.
- To remove a door tray, remove all the contents and then simply push the door tray upwards from the base.

12. Make sure that the special plastic container at the back of the appliance which collects defrost water is clean at all times. If you want to remove the tray to clean it, follow the instructions below:

- Switch off at the socket outlet and pull out the mains plug
- Gently uncrimp the stud on the compressor, using a pair of pliers, so that the tray can be removed
- Lift it up.
- Clean and wipe it dry
- Reassemble, reversing the sequence and operations

13. To remove a drawer, pull it as far as possible, tilt it upwards and then pull it out completely.

Repositioning the door

Proceed in numerical order (**Item 11**).

Do's and don'ts

- Do-** Clean and defrost your appliance regularly (See "Defrosting")
- Do-** Keep raw meat and poultry below cooked food and dairy products.
- Do-** Take off any unusable leaves on vegetables and wipe off any soil.
- Do-** Leave lettuce, cabbage, parsley and cauliflower on the stem.
- Do-** Wrap cheese firstly in greaseproof paper and then in a polythene bag, excluding as much air as possible. For best results, take out of the fridge compartment an hour before eating.
- Do-** Wrap raw meat and poultry loosely in polythene or aluminium foil. This prevents drying.
- Do-** Wrap fish and offal in polythene bags.
- Do-** Wrap food with a strong odour or which may dry out, in polythene bags, or aluminium foil or place in airtight container.
- Do-** Wrap bread well to keep it fresh.
- Do-** Chill white wines, beer, lager and mineral water before serving.
- Do-** Check contents of the freezer every so often.
- Do-** Keep food for as short a time as possible and adhere to "Best Before" and "Use by" etc. dates.
- Do-** Store commercially frozen food in accordance with the instructions given on the packets.
- Do-** Always choose high quality fresh food and be sure it is thoroughly clean before you freeze it.
- Do-** Prepare fresh food for freezing in small portions to ensure rapid freezing.
- Do-** Wrap all food in aluminium foil or freezer quality polythene bags and make sure any air is excluded.
- Do-** Wrap frozen food immediately after purchasing and put it in to the freezer as soon as possible.
- Do-** Defrost food in the fridge compartment.

- Don't-** Store bananas in your fridge compartment.
- Don't-** Store melon in your fridge. It can be chilled for short periods as long as it is wrapped to prevent it flavouring other food.
- Don't-** Cover the shelves with any protective materials which may obstruct air circulation.
- Don't-** Store poisonous or any dangerous substances in your appliance. It has been designed for the storage of edible foodstuffs only.
- Don't-** Consume food which has been refrigerated for an excessive length of time.
- Don't-** Store cooked and fresh food together in the same container. They should be packaged and stored separately.
- Don't-** Let defrosting food or food juices drip onto food.
- Don't-** Leave the door open for long periods, as this will make the appliance more costly to run and cause excessive ice formation.
- Don't-** Use sharp edged objects such as knives or forks to remove the ice.
- Don't-** Put hot food into the appliance. Let it cool down first.
- Don't-** Put liquid-filled bottles or sealed cans containing carbonated liquids into the freezer, as they may burst.
- Don't-** Exceed the maximum freezing loads when freezing fresh food.
- Don't-** Give children ice-cream and water ices direct from the freezer. The low temperature may cause 'freezer burns' on lips.
- Don't-** Freeze fizzy drinks.
- Don't-** Try to keep frozen food which has thawed; it should be eaten within 24 hours or cooked and refrozen.
- Don't-** Remove items from the freezer with wet hands.

Information about operating noises

To keep the selected temperature constant, your appliance occasionally switches ON the compressor.

The resulting noises are quite normal. As soon as the appliance has reached the operating temperature, the noises automatically reduce in volume.

The humming noise is emitted by the motor (compressor). When the motor switches ON, the noise may briefly increase in volume.

The bubbling, gurgling or whirring noise is emitted by the refrigerant as it flows through the pipes.

The clicking noise can always be heard when the thermostat switches ON/OFF the motor.

A clicking noise may occur when

- the automatic defrosting system is active.
- the appliance is cooling down or warming up (material expansion).

If these noises are excessively loud, the causes are probably not serious and are usually very easy to eliminate.

- The appliance is not level - Use the height-adjustable feet or place packing under the feet.

- The appliance is not free-standing - Please move the appliance away from kitchen units or other appliances.

- Drawers, baskets or shelves are loose or stick - Please check the detachable components and, if required, refit them.

- Bottles and/or receptacles are touching each other - Please move bottles and/or receptacles away from each other.

Trouble - shooting

If the appliance does not operate when switched on, check;

- That the plug is inserted properly in the socket and that the power supply is on. (To check the power supply to the socket, plug in another appliance)
- Whether the fuse has blown/circuit breaker has tripped/main distribution switch has been turned off.
- That the temperature control has been set correctly.
- That the new plug is wired correctly, if you have changed the fitted, moulded plug.

If the appliance is still not operating at all after above checks, contact the dealer from whom you purchased the unit.

Please ensure that above checks have been done, as a charge will be made if no fault is found.

Technical data

Brand	BEKO
Appliance type	COMBI * ** *
Total gross volume (l.)	380
Total usable volume (l.)	331
Freezer usable volume (l.)	87
Refrigerator useful volume	244
Freezing capacity (kg/24 h)	5
Energy class (1)	A
Power consumption (kWh/year) (2)	350
Autonomy (h)	18
Noise [dB(A) re 1 pW]	41
Ecological refrigerating agent R600 a	
(1) Energy class : A . . . G (A = economical . . . G = less economical)	
(2) The real power consumption depends on using conditions and appliance location.	

Поздравляем Вас с покупкой высококачественного холодильника **BEKO**, который будет служить Вам долгое время.

Безопасность прежде всего!

Не включайте холодильник в электросеть до тех пор, пока не удалите всю упаковку и транспортировочные крепления.

- Если Вы перевозили холодильник в горизонтальном положении, не включайте его после распаковки по крайней мере 4 часа для того, чтобы все системы пришли в норму.
- Если Вы выбрасываете старый холодильник, и у него на двери есть замок или задвижка, убедитесь, что они в исправном состоянии, чтобы дети, играя, случайно не оказались в нем запертыми.
- Холодильник должен использоваться только по назначению.
- Избавляясь от старого холодильника, не пытайтесь его сжечь. В теплоизоляции холодильника используются горючие материалы. Мы советуем Вам связаться с местными органами власти для получения информации относительно того, куда можно выбросить старый холодильник.
- Мы не рекомендуем пользоваться холодильником в неотапливаемом, холодном месте (например, в гараже, на складе, в пристройке, под навесом, в надворной постройке и т.п.).

Чтобы обеспечить максимально эффективную и бесперебойную работу холодильника, очень важно внимательно прочитать эту инструкцию. Поломка холодильника в результате несоблюдения наших рекомендаций может лишить Вас права на бесплатное обслуживание в течение гарантийного периода.

Пожалуйста, храните эту инструкцию в надежном месте, чтобы ее легко можно было найти в случае необходимости.

Ремонт холодильника должен осуществлять только квалифицированный специалист из Авторизованного Сервисного Центра **BEKO**

При повреждении электрического провода, его необходимо заменить, во избежание поражения током. Для замена провода вызовите специалиста из Авторизованного Сервисного Центра **BEKO**

Требования к электропитанию

Перед тем, как вставить штепсель в электрическую розетку убедитесь, что напряжение и частота тока, указанные на заводской марке внутри холодильника, соответствуют напряжению и частоте тока в электросети вашего дома. Мы рекомендуем подключать холодильник к электросети через розетку, должным образом установленную в легко доступном месте.

Внимание! Холодильник должен быть заземлен

Ремонт электрического оборудования должен выполняться только квалифицированным специалистом. Неправильный ремонт, выполненный неквалифицированным человеком, сопряжен с риском, и холодильник может стать опасным в эксплуатации.

ВНИМАНИЕ!

В системе охлаждения холодильника циркулирует газ R 600 а, который не оказывает вредного воздействия на окружающую среду, но легко воспламеняется. Во время транспортировки и установки холодильника старайтесь не повредить систему охлаждения. Если все же повреждение произошло и имеет место утечка газа из системы охлаждения, следите за тем, чтобы рядом с холодильником не было источника открытого огня, и хорошо проветрите помещение.

ВНИМАНИЕ – Не пользуйтесь никакими механическими приспособлениями, кроме тех, что рекомендуются в настоящей инструкции, для ускорения размораживания холодильника и очистки морозильной камеры от льда.

ВНИМАНИЕ – Не допускайте повреждения системы охлаждения.

ВНИМАНИЕ – Не устанавливайте внутри холодильника электрические приспособления кроме тех, которые рекомендованы изготовителем холодильника.

Инструкция по транспортировке

1. Холодильник должен транспортироваться только в вертикальном положении. Заводская упаковка при транспортировке не должна быть повреждена.

2. Если во время транспортировки холодильник был помещен горизонтально, им не следует пользоваться по крайней мере 4 часа для того, чтобы все его системы пришли в норму.

3. Изготовитель не несет ответственности за повреждение холодильника, если нарушаются вышеупомянутые рекомендации.

4. Холодильник должен быть защищен от дождя, влажности и других атмосферных воздействий.

Важное замечание!

- Следует соблюдать осторожность при чистке или перемещении холодильника и не касаться металлических частей конденсатора в задней части холодильника, поскольку в результате можно повредить пальцы и руки.
- Не садитесь и не вставайте на холодильник. Он для этого не предназначен. Вы можете получить травму или повредить холодильник.
- Убедитесь, что электрический провод не попал под холодильник во время и после перемещения холодильника, иначе его можно повредить.
- Не позволяйте детям играть с холодильником или баловаться с ручками и кнопками управления.

Инструкция по установке

1. Не ставьте холодильник в помещение, в котором температура может опускаться ниже 10 °С ночью или, в особенности, зимой, поскольку холодильник рассчитан на работу при температуре окружающей среды в пределах от +10 до +32 °С. При более низкой температуре холодильник может не работать, и срок хранения продуктов в нем должен быть сокращен.

2. Не устанавливайте холодильник вблизи кухонных плит или радиаторов отопления или в прямом солнечном свете, поскольку это вызовет дополнительную нагрузку на агрегаты холодильника.

Если Вы вынуждены устанавливать холодильник рядом с источником тепла или морозильником, обеспечьте следующее минимальное расстояние:

от кухонных плит 30 мм
от радиаторов отопления 300 мм

3. Постарайтесь, чтобы вокруг холодильника было достаточно свободного места, и воздух циркулировал свободно (см. рис. 2).

• Установите вентиляционную крышку на задней стороне холодильника для того, чтобы обеспечить необходимое расстояние между холодильником и стеной (см. рис. 3).

4. Холодильник должен стоять на гладкой поверхности. Две передние ножки должны быть соответствующим образом отрегулированы. Чтобы добиться строго вертикального положения холодильника, отрегулируйте ножки, вращая их по часовой или против часовой стрелки, пока они не будут устойчиво стоять на полу. Правильная регулировка ножек холодильника предотвращает чрезмерную вибрацию и шум (см. рис. 4).

5. Обратитесь к разделу “Чистка холодильника и уход за ним”, чтобы подготовить холодильник к эксплуатации.

Общие сведения о холодильнике (Рис. 1)

- 1 - Коробка лампы и термостата
- 2 - Вентилятор
- 3 - Съёмные полки
- 4 - Полки для бутылок (горизонтальные)
- 5 - Желоб для стока конденсата
- 6 - Крышка ящика для овощей
- 7 - Ящики для овощей
- 8 - Отделение для лотков приготовления льда
- 9 - Отделение быстрой заморозки
- 10 - Отделение хранения замороженных продуктов
- 11 - Регулируемые ножки
- 12 - Отделение для молочных продуктов
- 13 - Полка для банок
- 14 - Дополнительные емкости
- 15 - Полка для бутылок

Рекомендуемый способ размещения продуктов в холодильнике

Рекомендации по оптимальному хранению и соблюдению санитарных норм:

1. Холодильное отделение предназначено для непродолжительного хранения свежих продуктов и напитков.

2. Морозильная камера имеет замораживающую способность в три звездочки и предназначена для хранения замороженных продуктов. Рекомендации по хранению замороженных продуктов указаны на их упаковке и их следует соблюдать во всех случаях.

3. Молочные продукты должны храниться в специальном отделении на внутренней стороне двери.

4. Приготовленные блюда должны храниться в плотно закрытой посуде.

5. Свежие продукты в упаковке можно хранить на полке. Свежие фрукты и овощи должны быть чистыми и храниться в ящике для овощей.

6. Бутылки можно хранить в специальном отделении на двери.

7. Сырое мясо храните в полиэтиленовых пакетах и на самой низкой полке. Не допускайте контакта сырого мяса с готовыми блюдами, чтобы избежать заражения. В целях безопасности храните сырое мясо только два-три дня.

8. Для максимально эффективной работы холодильника, съёмные полки не должны быть накрыты бумагой или другими материалами, препятствующими свободной циркуляции холодного воздуха.

9. Не держите растительное масло на полках с внутренней стороны двери. Храните продукты, упакованными, завернутыми или под крышкой. Охладите горячие продукты и напитки прежде, чем ставить их в холодильник. Открытые консервы не должны храниться в консервных банках.

10. Нельзя замораживать газированные напитки, а лед из ароматизированной воды не следует употреблять слишком холодным.

11. Некоторые фрукты и овощи портятся от температуры, близкой к 0° С. Поэтому держите ананасы, дыню, огурцы, помидоры и другие подобные продукты в полиэтиленовых пакетах.

12. Никогда не храните в холодильнике продукты, содержащие легко воспламеняющийся газ (например, сливки с распылителем, консервы в аэрозольной упаковке и т.п.) или взрывчатые вещества. Это может быть опасно.

Регулировка температуры

Температура внутри холодильника регулируется ручкой термостата (рис. 5), которая может быть установлена в любое положение между 1 и 5 (максимально низкая температура).

Средняя температура внутри холодильного отделения должна быть +5 °С.

Поэтому, установите термостат в положение, которое обеспечит нужную температуру. В разных местах внутри холодильного отделения (например, ящика для овощей или в верхней части отделения) температура может быть выше или ниже, что вполне нормально.

Мы советуем периодически проверять точным термометром, сохраняется ли внутри холодильника нужная температура. При частом открывании двери холодный воздух выходит из холодильника и температура внутри него повышается, поэтому не оставляйте дверь холодильника открытой и старайтесь закрывать ее как можно быстрее. Вентилятор обеспечивает равномерное распределение температуры внутри холодильника.

Перед началом работы

Последняя проверка

Перед началом эксплуатации холодильника проверьте следующее:

1. Передние ножки должны быть отрегулированы так, чтобы обеспечивать устойчивое положение холодильника.

2. Внутри холодильника должно быть сухо, и воздух за ним должен циркулировать свободно.

3. Холодильник внутри должен быть чисто вымыт, как рекомендуется в разделе “Чистка холодильника и уход за ним”.

4. Штепсель должен быть вставлен в розетку и электричество включено. Когда открывается дверца холодильного отделения, должна загораться лампочка внутреннего освещения.

И обратите внимание на то, что:

5. Вы будете слышать шум при включении компрессора. Жидкость и газ внутри системы охлаждения также могут создавать некоторый шум, независимо от того, работает компрессор или нет. Это вполне нормально.

6. Верхняя часть будет слегка вибрировать. Это нормально и не является дефектом.

7. Мы советуем установить термостат в среднее положение и некоторое время следить за температурой, чтобы убедиться, что холодильник поддерживает нужную температуру хранения (см. раздел “Регулировка температуры”).

8. Не загружайте холодильник сразу же после включения. Подождите пока внутри не установится нужная температура. Мы советуем проверять температуру точным термометром.

Хранение замороженных продуктов

Холодильник рассчитан на длительное хранение пищевых продуктов, замороженных промышленным способом, а также может быть использован для замораживания и хранения свежих продуктов.

В случае перебоев с электропитанием, не открывайте дверь холодильника.

Замороженные продукты не пострадают, если электропитание прервано менее чем на 18 часов. Если электричества нет более длительное время, то следует проверить хранимые продукты и немедленно использовать их или проварить и заморозить заново.

Замораживание свежих продуктов

Не замораживайте продукты сразу в слишком большом количестве за один раз. Продукты лучше сохраняются, если они заморожены насквозь максимально быстро.

Не перегружайте морозильную камеру более, чем на сутки.

Если поместить в морозильную камеру теплые продукты, то агрегаты холодильника должны будут работать непрерывно, пока продукты не заморозятся. На какое-то время это приведет к чрезмерному понижению температуры в холодильном отделении. Замораживая свежие продукты, устанавливайте термостат в среднее положение. Небольшие порции продуктов (до 0,5 кг) можно замораживать без изменения положения термостата.

Особенно тщательно следите за тем, чтобы не хранить вместе замороженные и свежие продукты.

Замораживание льда

Заполните лоток для льда водой на 3/4 и поместите его в морозильное отделение. Вытаскивайте кубики льда ручкой ложки или другим подобным инструментом; никогда не пользуйтесь острыми или режущими предметами вроде ножей или вилок.

Размораживание

А) Холодильное отделение

Холодильное отделение размораживается автоматически. Талая вода стекает к дренажной трубке через накопительный контейнер в задней части холодильника (рис. 6).

При размораживании капли воды могут скапливаться в задней части холодильного отделения, где размещен скрытый испаритель. Они могут остаться на стенке испарителя и повторно замерзнуть, когда закончится размораживание. Не удаляйте замерзшие капли острыми или режущими предметами типа ножей или вилок. Если в какой-то момент Вы обнаружите, что талая вода не вытекает из накопительного

контейнера, проверьте, не засорилась ли дренажная трубка в результате попадания частиц продуктов.

Дренажную трубку можно продуть каким-либо приспособлением для прочистки. Убедитесь, что конечная часть дренажной трубки помещена в лоток для сбора воды на компрессоре, во избежание попадания воды на электрические части или на пол (рис 7).

В) Морозильная камера

Морозильная камера размораживается крайне просто и без всяких хлопот, благодаря наличию специального поддона для сбора талой воды.

Размораживайте камеру два раза в год или тогда, когда накопится слой инея толщиной до 7 мм. Чтобы начать размораживание, выключите холодильник из сети, вытащив штепсель из электрической розетки.

Все продукты следует завернуть в несколько слоев бумаги и сложить в прохладном месте (например в холодильнике или кладовке).

Для того, чтобы ускорить размораживание, Вы можете осторожно поставить в морозильную камеру емкость с теплой водой.

Не пользуйтесь острыми или режущими предметами вроде ножей или вилок для того, чтобы удалить иней.

Никогда не пользуйтесь феном, электрическим нагревателем или каким-либо другим аналогичным электрическим прибором для размораживания. Удалите губкой талую воду, собравшуюся на дне морозильной камеры. После размораживания насухо вытрите внутреннюю поверхность камеры. (Рис 8 и 9). Вставьте штепсель в розетку и включите холодильник.

Замена лампочки внутри холодильника

Если свет внутри холодильника не горит, выключите выключатель, расположенный около лампочки и отключите холодильник от сети.

Затем проверьте, надежно ли завинчена в патроне лампочка. Подключите холодильник к электросети и включите его. Если свет внутри холодильника по-прежнему не горит, купите новую лампочку типа E14 (завинчивающуюся) мощностью 15 Вт и установите ее на место (**Рис 10**). Перегоревшую лампочку незамедлительно выбросите, соблюдая меры предосторожности.

Чистка холодильника и уход за ним

1. Мы советуем Вам выключать холодильник выключателем и вытаскивать штепсель из электрической розетки перед чисткой.

2. Никогда не пользуйтесь для чистки холодильника острыми инструментами или абразивными материалами, мылом, бытовыми чистящими средствами, моющими или полирующими средствами.

3. Для чистки корпуса холодильника пользуйтесь теплой водой и вытирайте его насухо.

4. Смочите тряпку в растворе пищевой соды (одна чайная ложка на пол-литра воды) для того, чтобы вымыть холодильник внутри, и протрите все поверхности насухо.

5. Следите за тем, чтобы вода не попадала в коробку термостата.

6. Если Вы не собираетесь пользоваться холодильником в течение длительного времени, выключите его, уберите из него все продукты, вымойте внутри и оставьте дверцу приоткрытой.

7. Мы советуем Вам полировать металлические части корпуса (т.е. внешнюю поверхность двери, боковые стенки) силиконовой мастикой (автомобильная полироль) для того, чтобы сохранить высокое качество окраски.

8. Пыль, которая собирается на конденсаторе, расположенном в задней части холодильника, следует раз в год удалять пылесосом.

9. Регулярно проверяйте уплотнение двери, чтобы убедиться, что оно чистое, и на нем нет остатков продуктов.

10. Никогда:

- не чистите холодильник не предназначенными для этого средствами такими как, например, веществами, содержащими бензин;
- не подвергайте холодильник воздействию высокой температуры;
- не мойте, не протирайте и т.д. холодильник, используя абразивные материалы.

11. Как снять крышку отделения для молочных продуктов и лоток на двери?

• Для того, чтобы снять крышку отделения для молочных продуктов, сначала поднимите ее на пару сантиметров и вытащите ее с той стороны, где на крышке имеется отверстие.

• Для того, чтобы снять лоток, расположенный на двери, удалите все, что на нем лежит, и затем просто поднимите его и снимите с основания.

12. Следите за тем, чтобы специальный пластмассовый лоток, расположенный в задней части холодильника и служащий для сбора талой воды, был всегда чистый. Если Вам надо вытащить его для того, чтобы вымыть, следуйте приведенным ниже рекомендациям:

- выключите выключатель около лампочки и вытащите штепсель из розетки;
 - осторожно разогните плоскогубцами защелку на компрессоре, чтобы
13. Для того, чтобы вытащить выдвижной ящик, потяните его на себя до упора, приподнимите и вытащите совсем.

Перенавешивание двери

Выполните действия в порядке, указанном на схеме (**Рис. 11**).

Что следует и чего нельзя делать

Следует - регулярно чистить и размораживать холодильник (см. раздел "Размораживание").

Следует - хранить сырое мясо и птицу на нижних полках, под полками, на которых стоят готовые блюда и молочные продукты.

- Следует** - очищать овощи от земли и удалять неиспользуемые листья.
- Следует** - не отрезать листья салата и петрушки от корней, а обычную и цветную капусту от кочерыжки.
- Следует** - сыр сначала заворачивать в пергаментную бумагу, а затем класть в полиэтиленовый пакет, удаляя из пакета весь воздух. Для улучшения вкусовых качеств сыра, рекомендуется доставать его из холодильника за час до употребления.
- Следует** - класть сырое мясо и птицу в полиэтиленовый пакет или алюминиевую фольгу, не заворачивая туго. Это препятствует высушиванию.
- Следует** - класть рыбу и требуху в полиэтиленовые пакеты.
- Следует** - заворачивать сильно пахнущие продукты или продукты, который могут высохнуть, в полиэтиленовые пакеты или алюминиевую фольгу, или хранить их в плотно закрытой посуде.
- Следует** - тщательно упаковывать хлеб, чтобы сохранить его свежим.
- Следует** - охлаждать белые вина, пиво и минеральную воду перед употреблением.
- Следует** - почаще проверять продукты, хранящиеся в морозильной камере.
- Следует** - хранить продукты в течение как можно меньшего времени и строго соблюдать сроки хранения.
- Следует** - хранить готовые замороженные продукты в соответствии с инструкциями, указанными на упаковке.
- Следует** - всегда выбирать свежие продукты высокого качества и тщательно мыть их перед замораживанием.
- Следует** - делить свежие продукты на маленькие порции, чтобы они быстрее замораживались.
- Следует** - заворачивать все продукты в алюминиевую фольгу или специальные полиэтиленовые пакеты для морозильника и удалять из упаковки весь воздух.
- Следует** - как можно скорее заворачивать только что купленные замороженные продукты и класть в морозильную камеру.
- Следует** - размораживать замороженные продукты в холодильном отделении.
- Не следует** - хранить в холодильнике бананы.
- Не следует** - хранить в холодильнике дыню. Ее можно охладить в течение короткого времени, если она завернута так, чтобы ее запахом не пропахли другие продукты.
- Не следует** - закрывать полки любыми защитными материалами, которые могут препятствовать циркуляции воздуха.
- Не следует** - хранить в холодильнике ядовитые или опасные вещества. Холодильник предназначен для хранения только пищевых продуктов.
- Не следует** - употреблять в пищу продукты, которые хранились в холодильнике сверх допустимого времени.
- Не следует** - хранить вместе в одной и той же посуде готовые блюда и свежие продукты. Они должны быть уложены в разные контейнеры и храниться отдельно.
- Не следует** - допускать, чтобы жидкость из размораживаемых продуктов капала на другие продукты, хранящиеся в холодильнике.
- Не следует** - оставлять дверь холодильника открытой в течение длительного времени, поскольку это приведет к дополнительным расходам по его эксплуатации.
- Не следует** - использовать острые предметы, типа ножей или вилок, для удаления инея.
- Не следует** - ставить в холодильник горячие продукты. Надо дать им сначала остыть.
- Не следует** - помещать в морозильную камеру наполненные жидкостью бутылки или нераспечатанные банки с газированными напитками, так как они могут разорваться.
- Не следует** - переполнять сверх всякой меры морозильную камеру при замораживании свежих продуктов.
- Не следует** - давать детям мороженое или замороженную фруктовую воду прямо из морозильной камеры. Они могут обморозить губы.
- Не следует** - замораживать газированные напитки.
- Не следует** - долгое время хранить размороженные продукты; их необходимо использовать в течение суток, либо проварить и заморозить снова.
- Не следует** - доставать продукты из холодильника мокрыми руками.

Почему холодильник шумит?

При эксплуатации холодильника Вы можете слышать различные шумы, вызванные нормальной работой системы охлаждения

- Охлаждающий реагент, циркулирующий в системе, может создавать шум, как-будто переливается вода по трубам. Эти звуки слышны и некоторое время после того, как компрессор выключится.
- Различные щелчки вызываются при температурном расширении и сжатии стенок и различных деталей внутри холодильника
- Шумы издаёт работающий компрессор. При включении мотора шум может слегка усиливаться и понижаться в дальнейшем при достижении заданной температуры внутри холодильника

Для снижения уровня шума и вибрации проверьте следующее:

- Устойчиво ли стоит холодильник на всех четырёх ножках
- Не касается ли холодильник каких-либо предметов. Отодвиньте его подальше от стен, шкафов и другого кухонного оборудования.
- Хорошо ли закреплены полки внутри холодильника, не соприкасаются ли друг с другом банки и бутылки

Устранение неисправностей

Если холодильник не работает, когда он включен, убедитесь:

- что штепсель вставлен в электрическую розетку правильно и что электричество не отключено. (Для проверки наличия тока в розетке, включите в нее другой электроприбор);
- что не сгорел плавкий предохранитель, не отключился выключатель или не отключен главный выключатель на распределительном щите;
- что регулятор температуры установлен правильно;
- что новый штепсель, используемый вместо заводского, поставлен правильно.

Если холодильник все еще не работает после того, как Вы выполнили описанные выше проверочные действия, обратитесь за помощью к специалисту Авторизованного Сервисного Центра **BEKO**



Продукция сертифицирована.
 Информация о сертификации
 по тел.8-800-200-23-56 (звонок бесплатный)
 Произведено ООО «БЕКО»
 601010, Владимирская область,
 г.Киржач, ул. Гагарина, д.23, офис 7

Технические характеристики

Марка	BEKO
Тип холодильника	Двухкамерный * ***
Общий объем (л)	380
Полезный объем (л)	331
Полезный объем морозильной камеры (л)	87
Полезный объем холодильного отделения (л)	244
Производительность морозильной камеры (кг/сутки)	5
Класс энергопотребления (1)	A
Потребление электроэнергии (кВт/год) (2)	350
Допустимый перерыв в подаче электроэнергии (час)	18
Шум [dB(A) на 1 pW]	41
Экологически безопасный охлаждающий реагент R600 a	
(1) Класс энергопотребления: A...G (A = экономичный, G = наименее экономичный)	
(2) Реальное потребление электроэнергии зависит от конкретных условий эксплуатации	

